

Televés

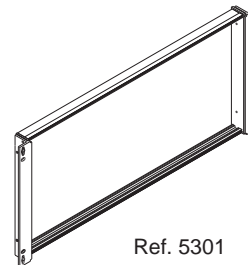
BI-BIII

Single Channel Amplifier
User manual

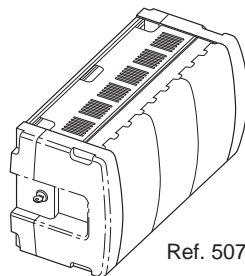


1.- REFERENCES DESCRIPTION

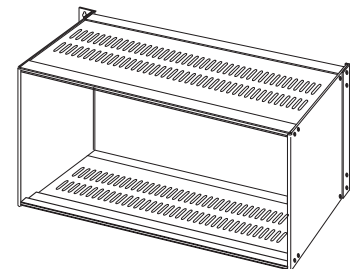
- Ref. 5081 Low gain BI amplifier
- Ref. 5091 High gain BI amplifier
- Ref. 5083 Low gain BIII amplifier
- Ref. 5093 High gain BIII amplifier
- Ref. 5099 DAB amplifier
- Ref. 5028 Power supply (230 V \pm 15 % - 50/60 Hz)
(24 V - 1,2 A)
- Ref. 5071 Wall mount (10 mod. + P.S.U.)
- Ref. 5239 Wall mount (12 mód. + P.S.U.)
- Ref. 4061 Load "F" 75 Ω
- Ref. 5073 Face plate
- Ref. 5074 Link "F" connectors
- Ref. 5072 Universal cabinet
- Ref. 5301 19" wall/sub-rack
- Ref. 8250 19" sub-rack



Ref. 5301



Ref. 5072



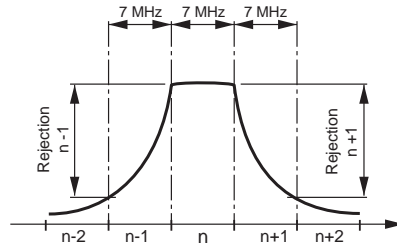
Ref. 8250

2.- TECHNICAL SPECIFICATIONS

Single-channels

Reference	5081	5091	5083	5093	5099
Bandwidth (1) (MHz)	7	7	7 / 16 (2)	7 / 16 (2)	37
Gain (dB)	50 ±2	58 ±2	50 ±2	58 ±2	45 ±3
Flatness (dB)	< 1	< 1	< 1	< 1	3
Gain adjustment (dB)	> 35	> 35	> 35	> 35	> 35
Rejection (n ±1) (dB)	> 40	> 40	> 30	> 30	≥ 20
Output level (EN 50083-5) (dBμV)	> 123	> 124	> 123	> 124	--
Output level (DAB) (dBμV)	--	--	112 (2)	114 (2)	114 (2)
Noise figure (dB)	< 9	< 9	< 9	< 9	< 9
Consump. at 24Vcc (mA)	65 ±5	90 ±5	65 ±5	90 ±5	90 ±5
Preamp. max. current (24Vcc) (mA)	100	100	100	100	100

- 1.- Specify on ordering
- 2.- Fordi= 50 dB (2 channels at 4 MHz)



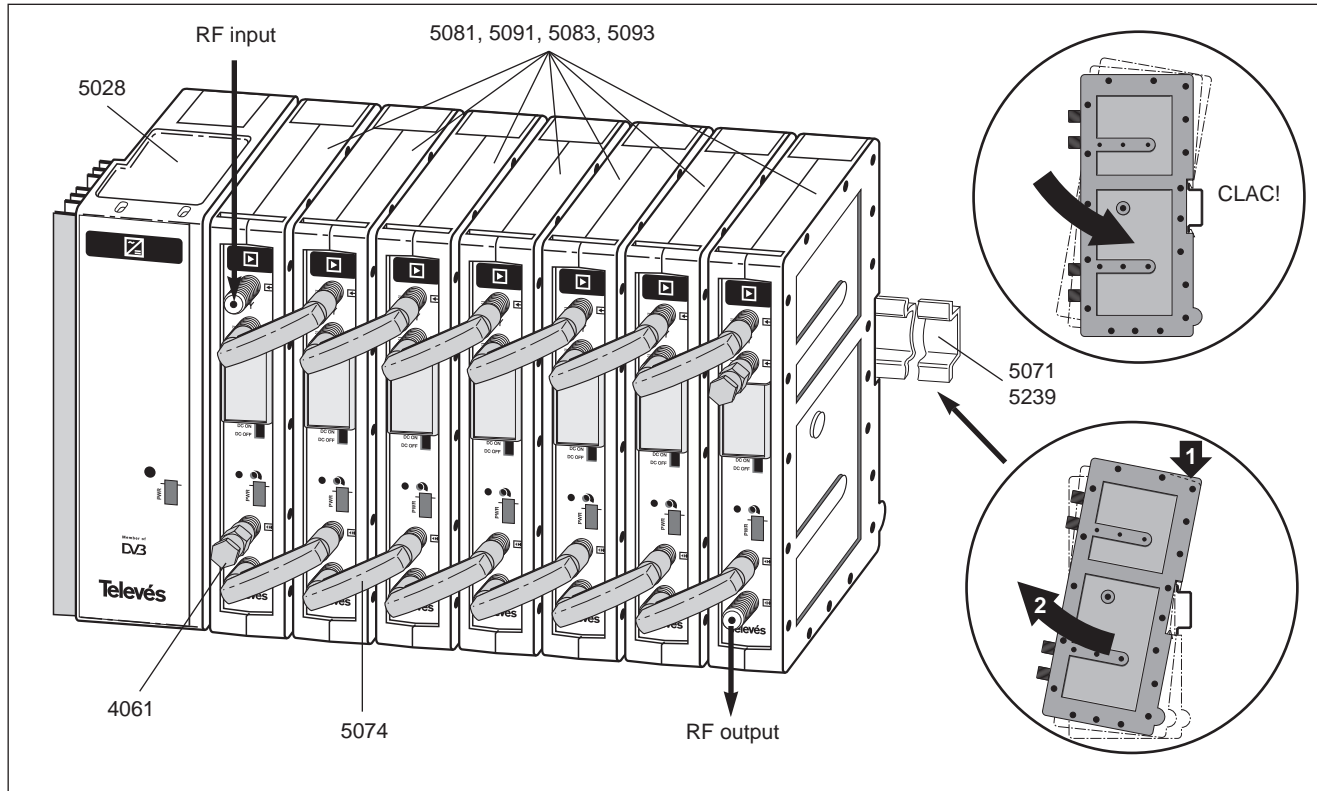
Reference	Band	Channel	Channel Freq. (MHz)	
5081 5091	B I	2	47 ... 54	
		3	54 ... 61	
		4	61 ... 68	
	Sub Band	L1	68 ... 75	
		L2	75 ... 82	
		L3	82 ... 89	
5083 5093	B III	C5	174 ... 181	DAB-UK
		C6	181 ... 188	
		C7	188 ... 195	
		C8	195 ... 202	
		C9	202 ... 209	
		C10	209 ... 216	
		C11	216 ... 223	
		C12	223 ... 230	
		C13	216 ... 232	
		5099		

Power supply unit ref. 5028

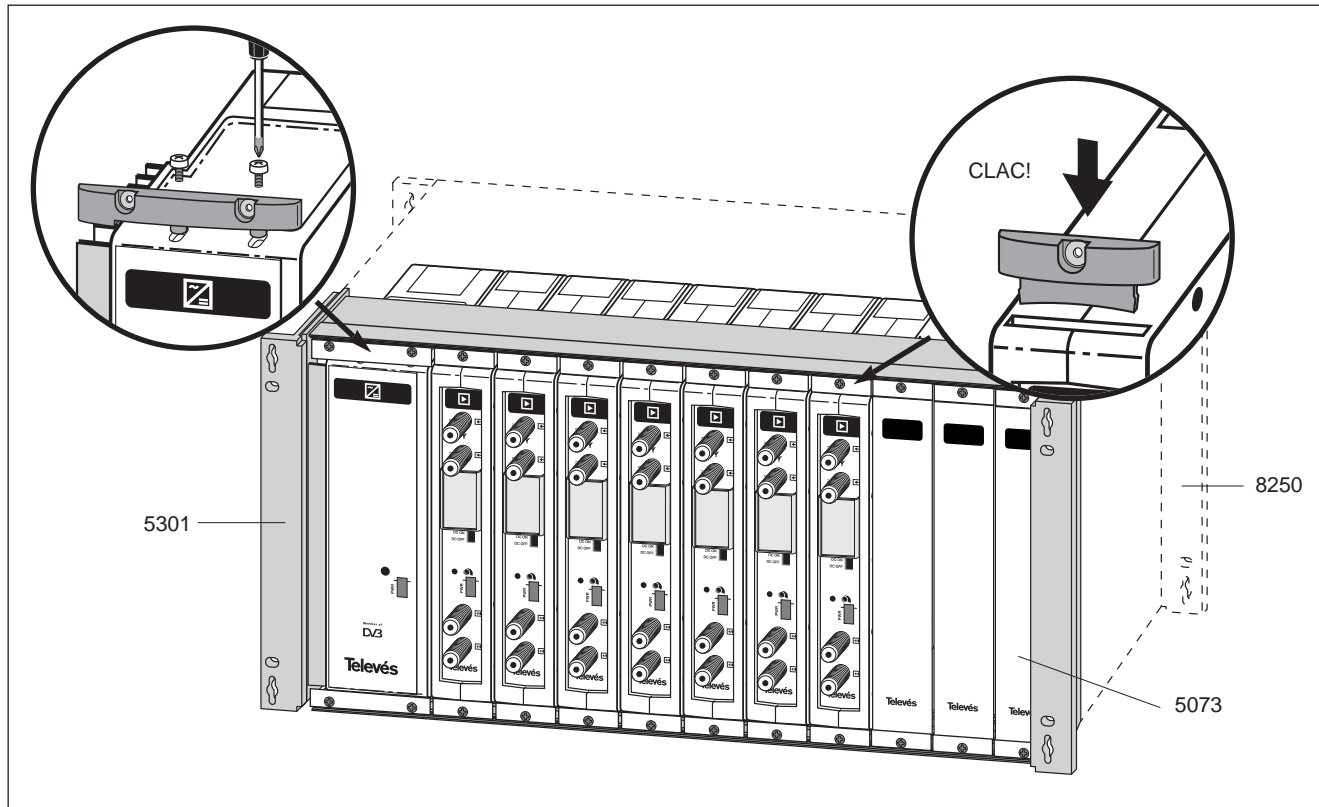
Input level	(V~)	230 ±15 %	50 / 60 Hz
Output level	(V=)	24	
Max. current	(A)	1,2	

3.- MOUNTING

3.1.- Wall Mounting

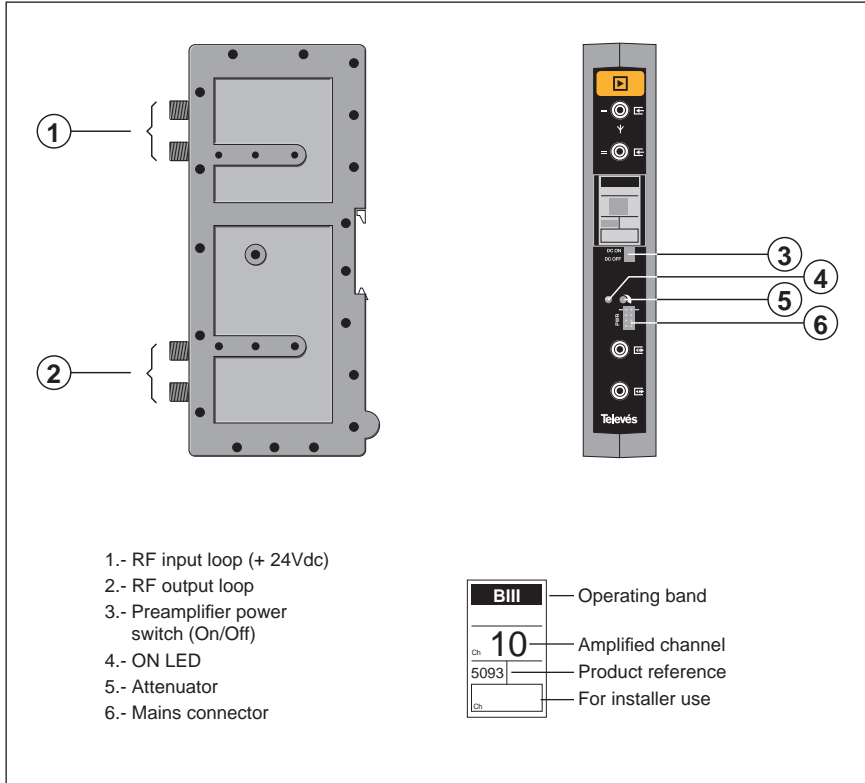


3.2.- 19" Rack Mounting



4. - DESCRIPTION OF ELEMENTS

4.1.- Single-channels



Single-channel amplifiers with diecast chassis and “F” connectors that can be rack or wall mounted.

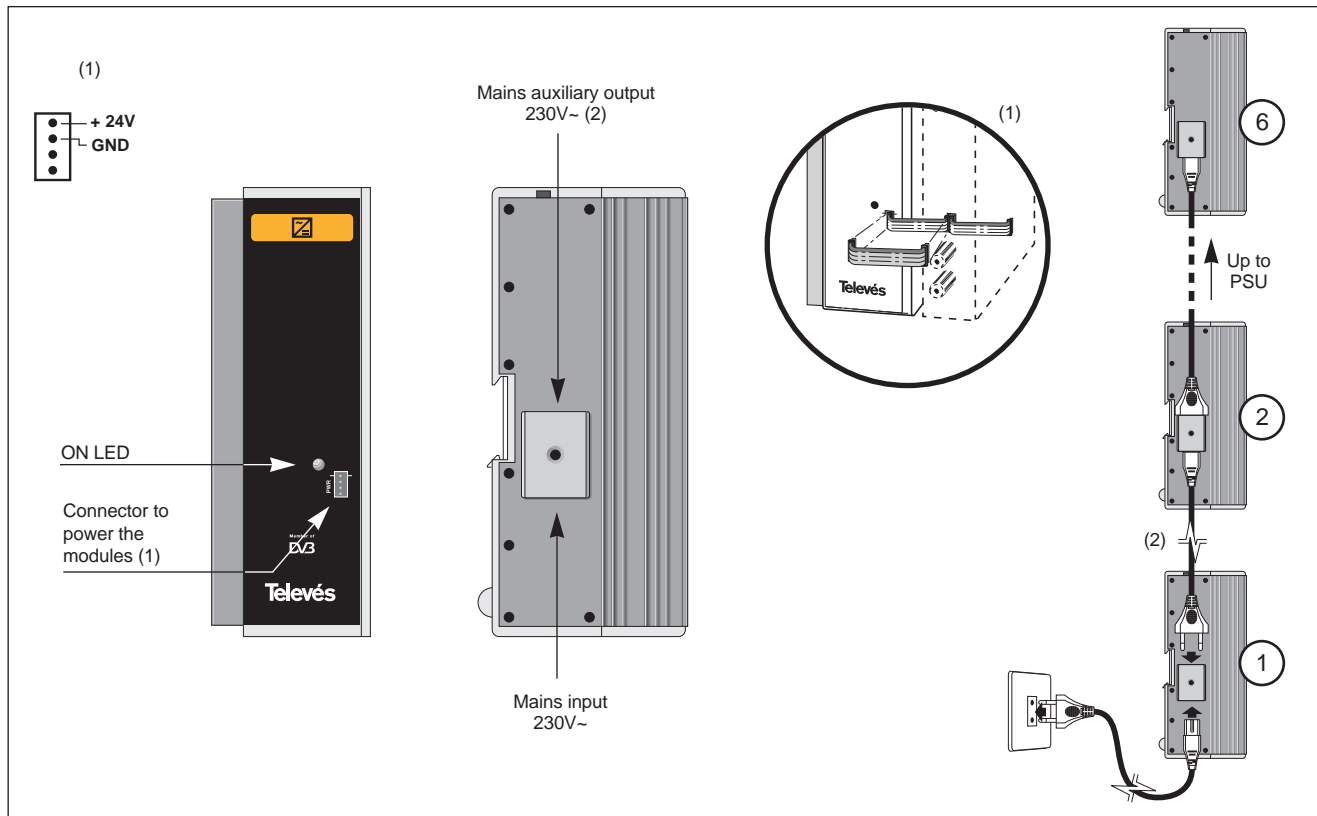
The loop-through technique is used to mix the output signal from the units.

The connection between the supply and the modules, and between the modules themselves, is carried out via interconnecting links.

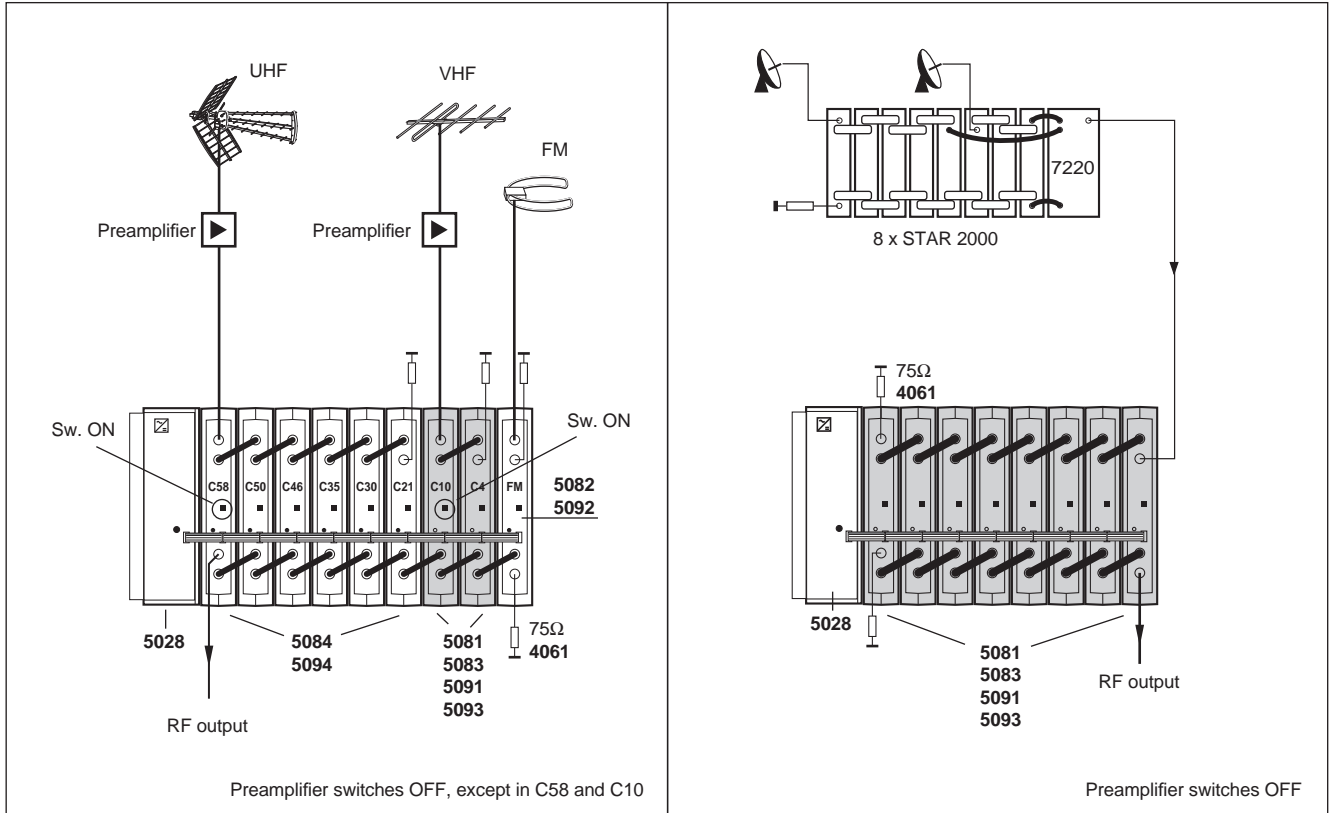
They also dispose of a bypass current via the input connectors to power the preamplifiers. This means that they can be disabled using the switch located on the front of the equipment.

When various modules are used in an installation, the channels with higher frequencies must be located near to the output that is to be used.

4.2.- Power Supply



7.- APPLICATION



Televés

Rúa B. de Conxo, 17 15706 - Santiago de Compostela (España)

Tlfo: 981 52 22 00

Fax: 981 52 22 62

E-mail: televes@televes.com

www.televes.com